

Technical data sheet

Product features



Cooking range electric square 4 zones

| | | |
|--------------|-----------------|----------|
| Model | SAP Code | 00013581 |
|--------------|-----------------|----------|

- Device type: Electric unit
- Protection of controls: IPX5
- Material: Stainless steel



| | | | |
|------------------------|----------|----------------------------|--------------------|
| SAP Code | 00013581 | Net Weight [kg] | 38.00 |
| Net Width [mm] | 800 | Power electric [kW] | 16.000 |
| Net Depth [mm] | 800 | Loading | 400 V / 3N - 50 Hz |
| Net Height [mm] | 50 | | |

Technical data sheet

Technical drawing

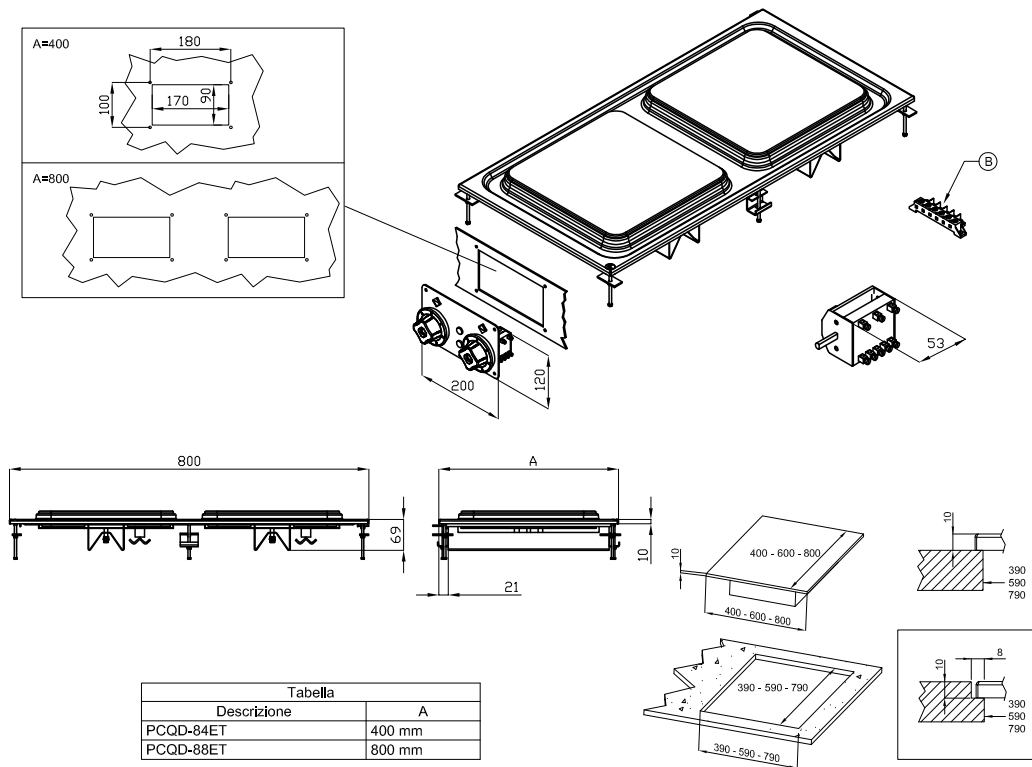


Cooking range electric square 4 zones

Model

SAP Code

00013581



Technical data sheet

Technical parameters



Cooking range electric square 4 zones

Model

SAP Code

00013581

1. SAP Code:

00013581

2. Net Width [mm]:

800

3. Net Depth [mm]:

800

4. Net Height [mm]:

50

5. Net Weight [kg]:

38.00

6. Gross Width [mm]:

830

7. Gross depth [mm]:

970

8. Gross Height [mm]:

540

9. Gross Weight [kg]:

48.00

10. Device type:

Electric unit

11. Construction type of device:

Drop-in

12. Power electric [kW]:

16.000

13. Loading:

400 V / 3N - 50 Hz

14. Protection of controls:

IPX5

15. Material:

Stainless steel

16. Worktop type:

Molded - comfortable cleaning maintenance

17. Worktop material:

AISI 304

18. Worktop Thickness [mm]:

2.00

19. Standard equipment for device:

4 4

20. Maximum device temperature [°C]:

300

21. Minimum device temperature [°C]:

50

22. Number of power control stages:

6

23. Service accessibility:

From the front by removing the front panel and waste fluid containers

24. Safety element:

internal thermostatic protection of the hotplate against overheating

25. Safety thermostat:

Yes

26. Number of burners/hot plates:

4

Technical data sheet

Technical parameters



Cooking range electric square 4 zones

| | | |
|--------------|-----------------|----------|
| Model | SAP Code | 00013581 |
|--------------|-----------------|----------|

27. Type of electric cooking zones:

Squared